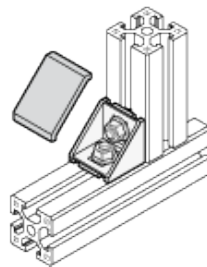
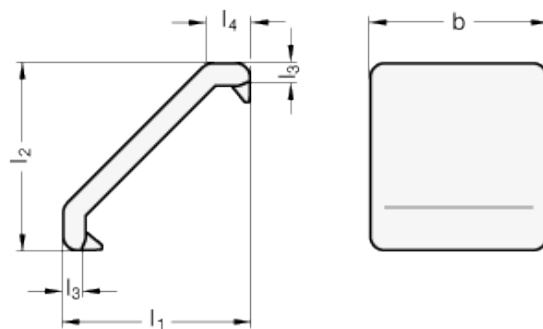


GN 963

Cover caps for angle pieces for profile systems



technical informations

Material

Plastic.

Black colour RAL 9005, textured finish.

Features and applications

If required, the cover caps are also available individually under standard GN 963.

After assembly, the cover caps are snapped into place via four lugs. They lend the angle piece an attractive appearance and protect against dirt.

Even after repeated use, the cover caps will remain firmly in place inside the angle pieces thanks to the elastic snap-type lugs.

Standard Elements

Main dimensions

Weight

Description	b	l ₁	l ₂	l ₃	l ₄	g
GN 963-30-30-30-SW	28	30	30	3	6.8	3
GN 963-40-40-40-SW	38	40	40	4	7.2	6
GN 963-45-45-45-SW	43	45	45	4	11.5	9



STANDARD MACHINE ELEMENTS WORLDWIDE